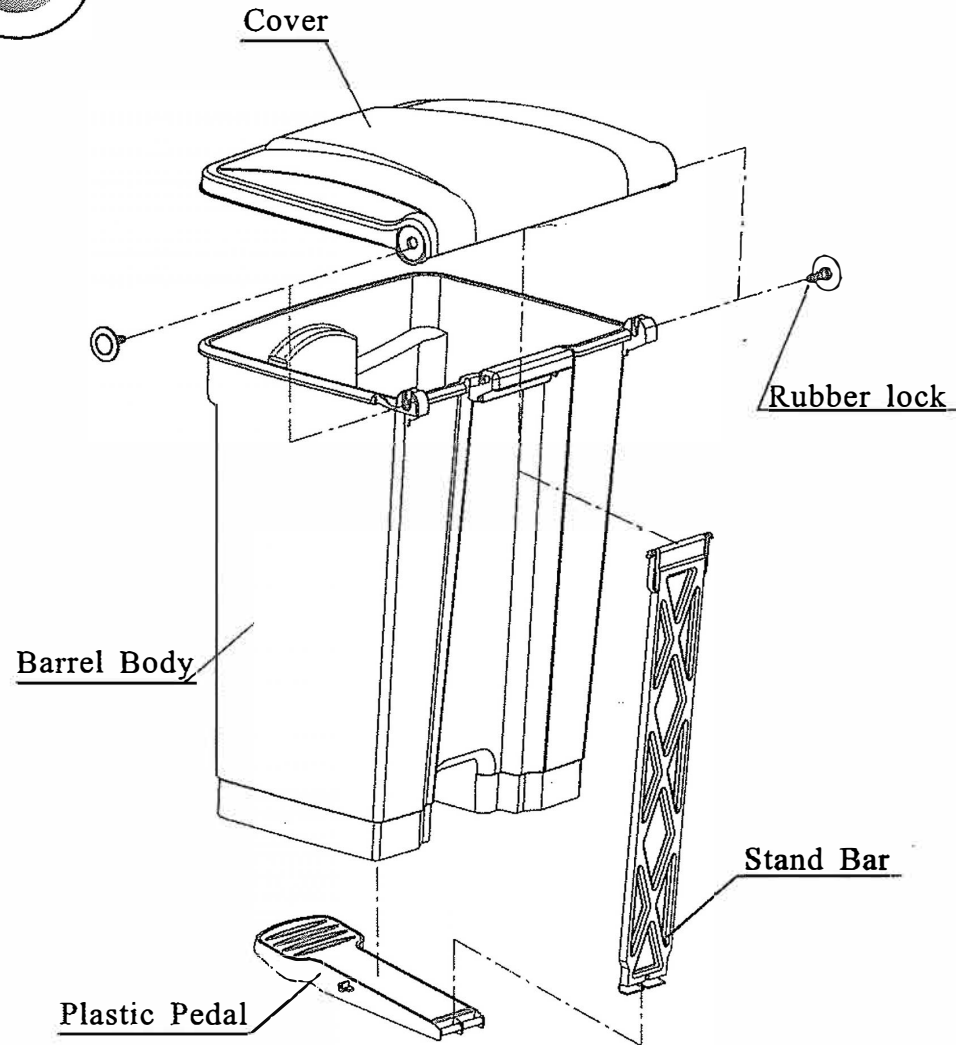


Garbage Can with peddal Assembly Instructions



- 1、 To fix pedal: turn over barrel body and put it on the ground, and then insert side terminals of pedal into holes on bottom of barrel. At the same time , please note correct direction of pedal as shown.
- 2、 To set stand bar: connect lower end of stand bar with pedal, and meanwhile make the other end of bar drill through square hole at barrel top. please note face and back of stand bar.
- 3、 To fix cover: put cover onto barrel mouth correctly, insert side terminals of stand bar into back holes at barrel mouth. And then infix side terminals of middle support of barrel through corresponding holes of cover (Notes: please select assistant tool to install cover in case of any hurt) .
- 4、 To place rubber lock: infix rubber locks through holes of side supports of barrel as shown.